

A 0.35-V 5,200- μm^2 2.1-MHz Temperature-Resilient Relaxation Oscillator with 667fJ/cycle Energy Efficiency Using Asymmetric Swing-Boosted RC Network and Dual-Path Comparator

Ka-Meng Lei¹, Pui-In Mak¹, and Rui P. Martins^{1,2}

1 – State-Key Laboratory of Analog and Mixed-Signal VLSI
University of Macau, China

2 - Instituto Superior Técnico, UL, Portugal



模擬與混合信號超大規模集成電路
國家重點實驗室
State Key Laboratory of
Analog and Mixed-Signal VLSI

Outline

- Introduction
- Theoretical Analysis
- Proposed Architecture
- Measurement Results
- Conclusion

Duty-Cycling in ULP Radios for Power Saving

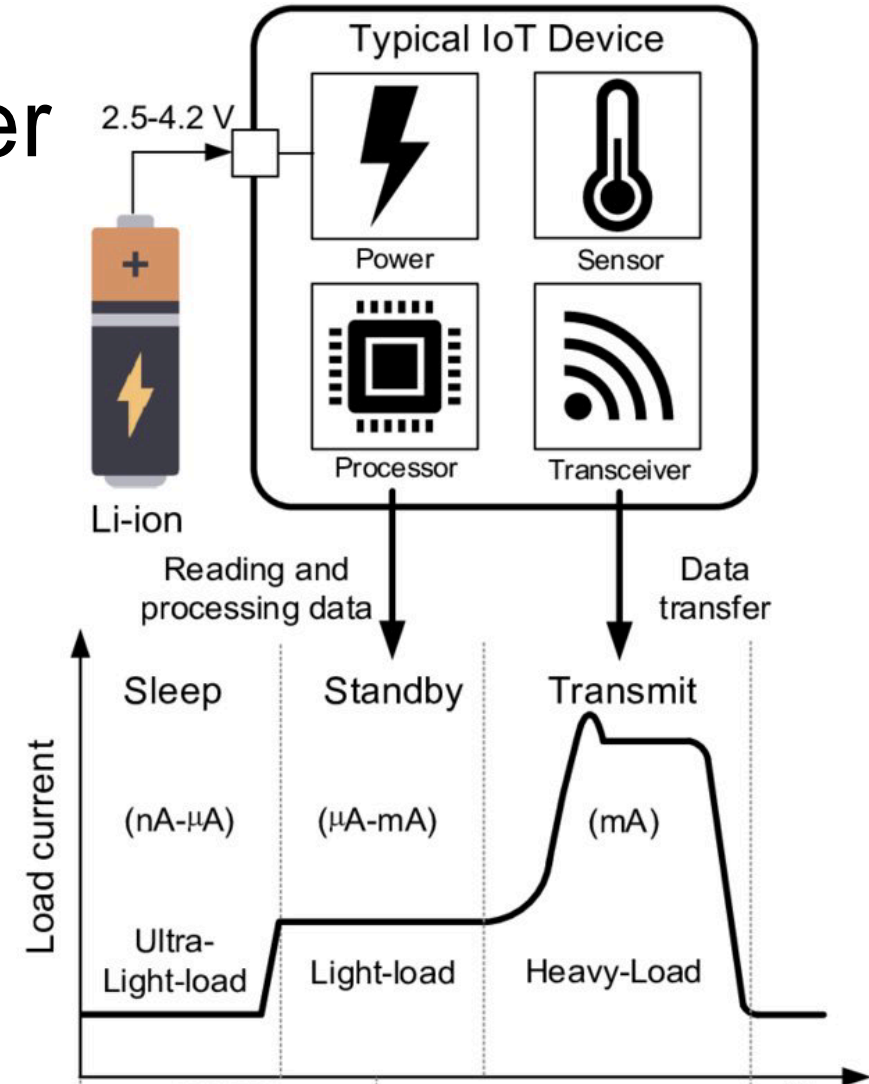
- Duty-cycling the device to save power
 - As low as 0.1%
- To effectively achieve duty-cycling:
 - Accurately wake up the device
 - Low-power in sleep mode

$$E_{\text{TOTAL}} = P_{\text{TRX}} \times T_{\text{ON}} + P_{\text{SLEEP}} \times T_{\text{OFF}}$$

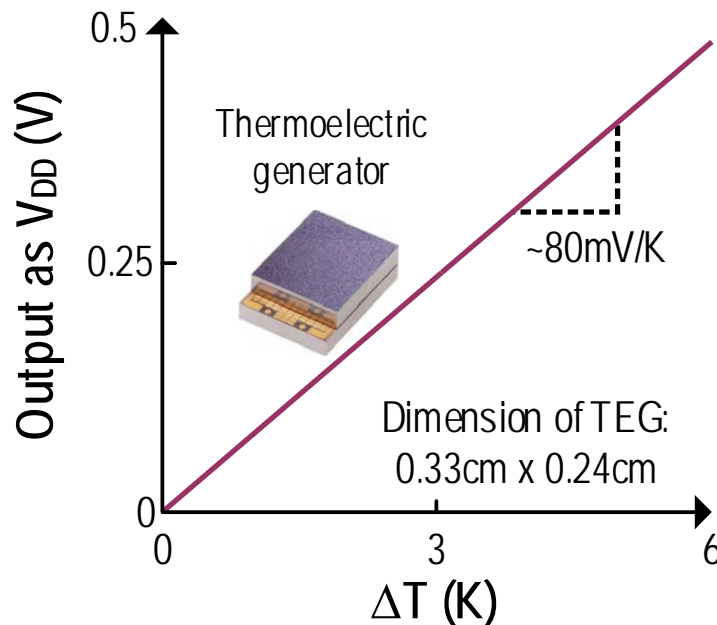
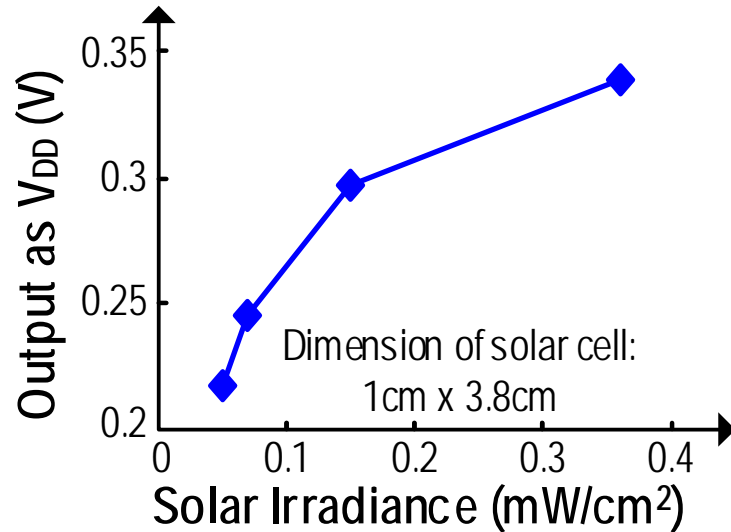
- Two methods to wake the device up

- Timer
- Wakeup receiver

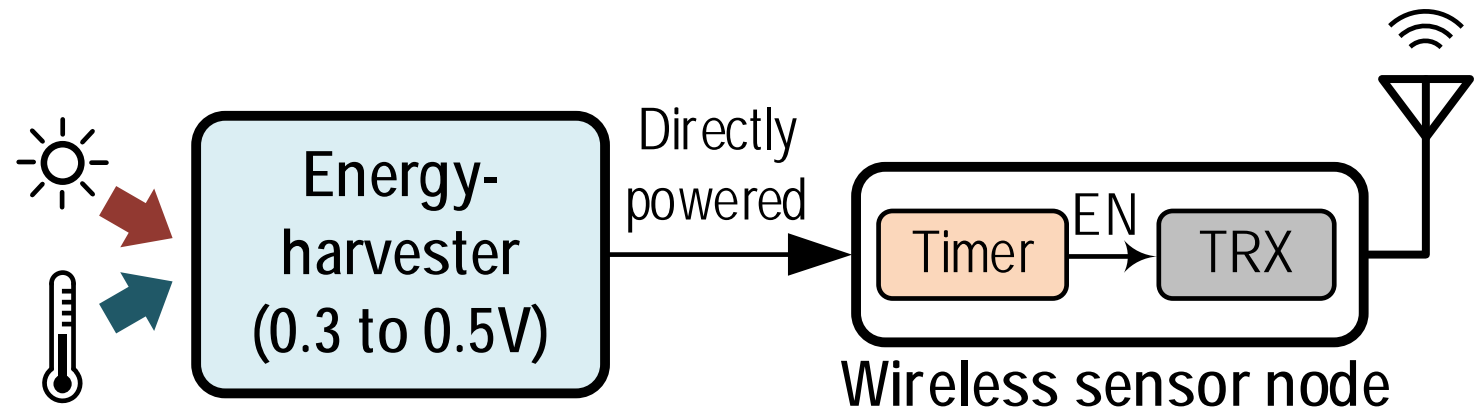
Fully-integrated timer for miniaturization



Energy-Harvesting for Self-Sustainability



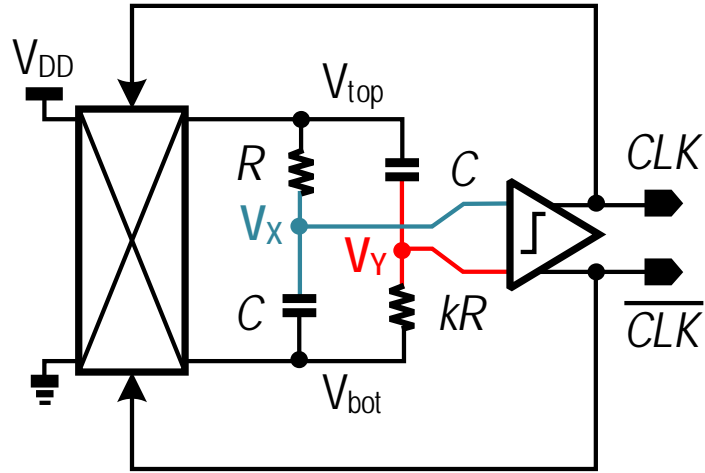
- Energy harvesting for perpetual operation
- Interim DC-DC converters incur power loss & cost



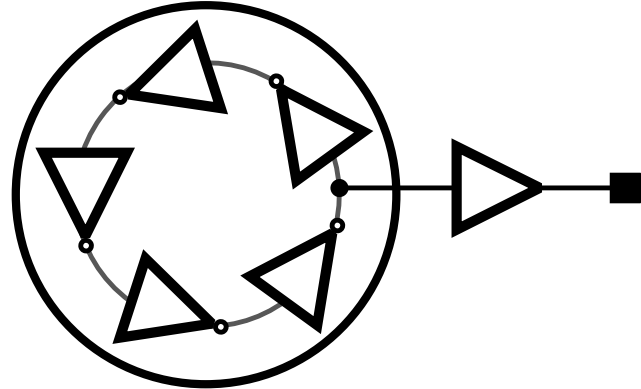
- **Key Challenge:** to operate at a sub-0.5V, i.e. ultra-low-voltage (ULV)?

Architecture of Fully-Integrated Timer

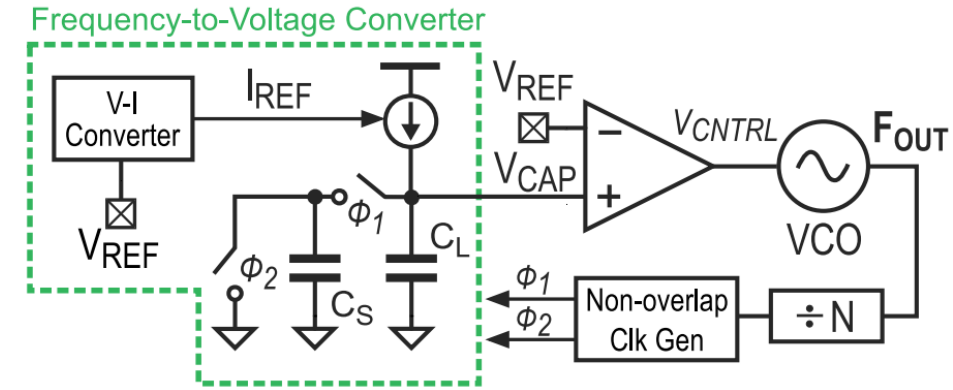
Relaxation Oscillator (RxO)



Ring Oscillator

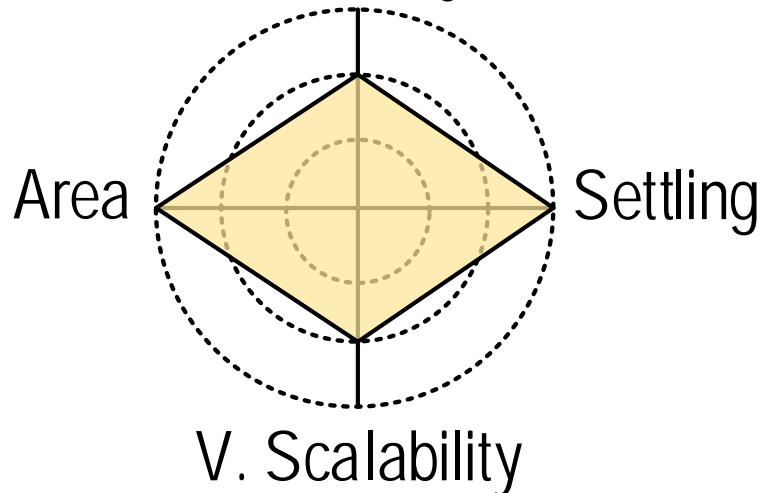


Frequency-Locked Loop

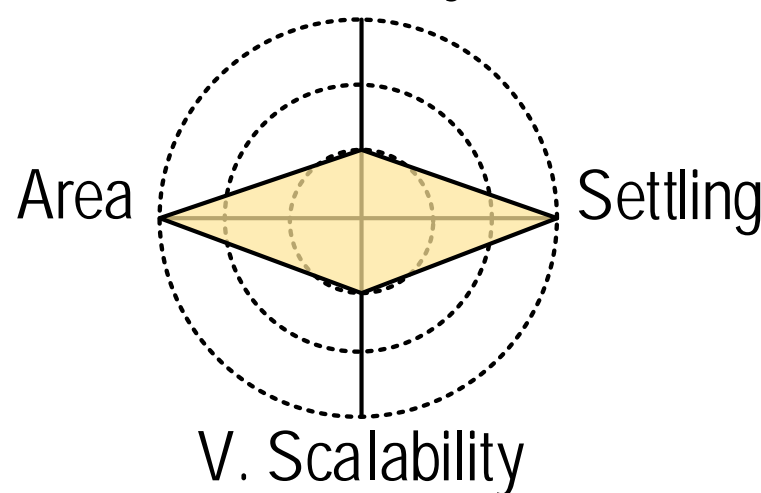


Truesdell, SSC-L'19

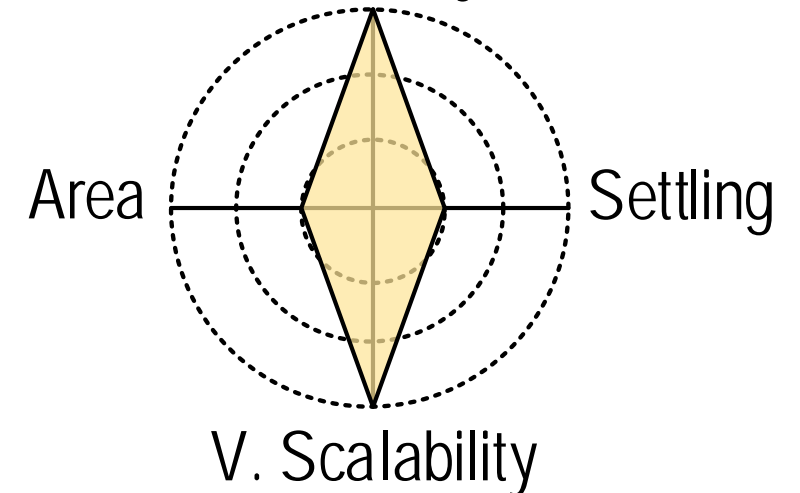
Accuracy



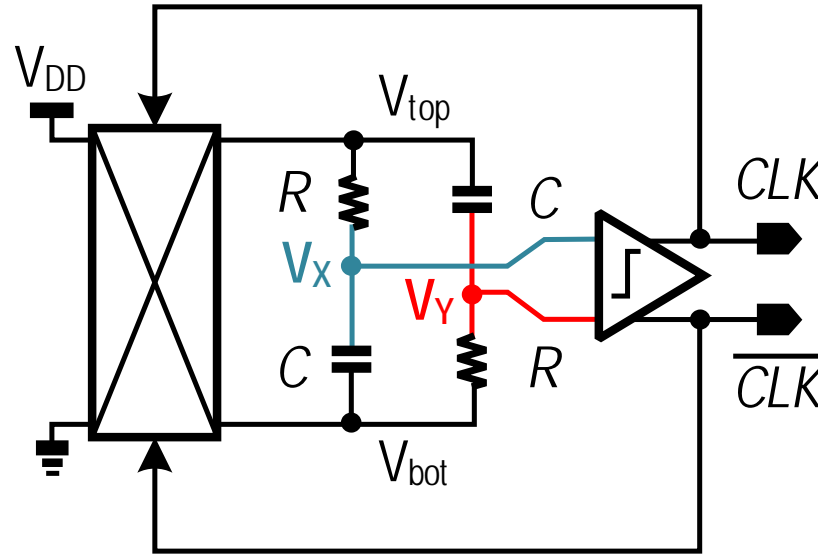
Accuracy



Accuracy

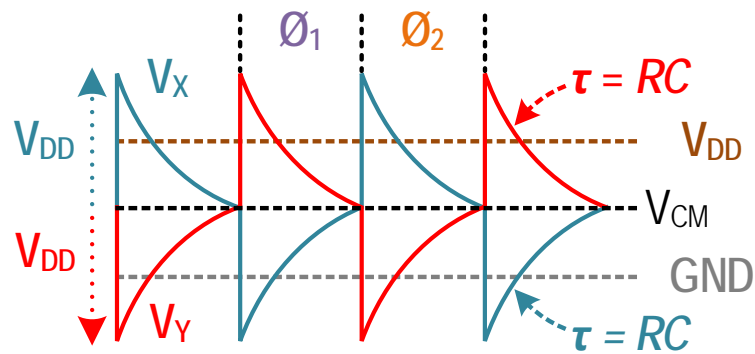


Simplified RxO Operation



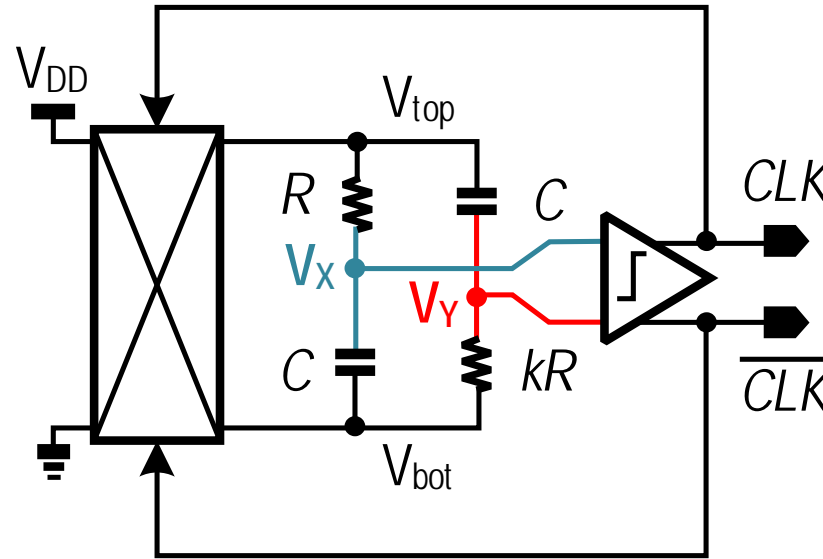
Symmetric RC Network

Lee et al. *JSSC'20*



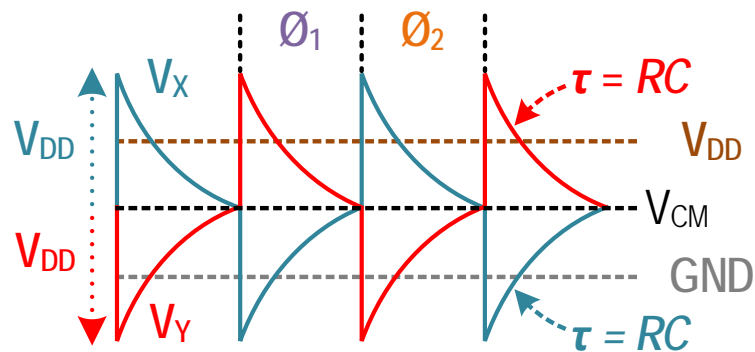
$$V_{CM} = 0.5V_{DD}$$

Simplified RxO Operation



Symmetric RC Network

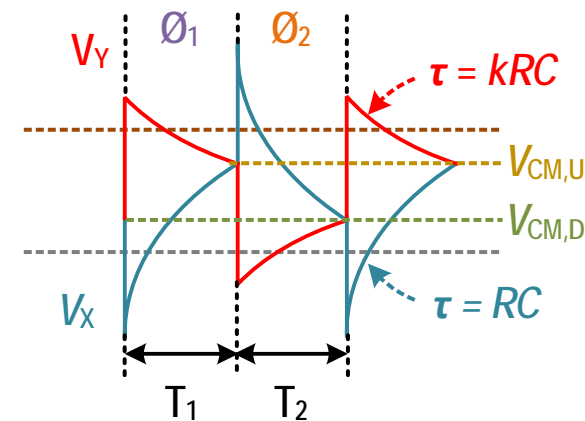
Lee et al. *JSSC'20*



$$V_{CM} = 0.5V_{DD}$$

Asymmetric RC Network ($k > 1$)

[This work]



$$V_{CM,U} > 0.5V_{DD} \text{ \& } V_{CM,D} < 0.5V_{DD}$$

A 0.35-V 5,200- μm^2 2.1-MHz Temperature-Resilient Relaxation Oscillator with 667fJ/cycle Energy Efficiency Using Asymmetric Swing-Boosted RC Network and Dual-Path Comparator

Theoretical Analysis

$$(V_{CM,D} + V_{DD})e^{-\frac{T_1}{kRC}} = V_{CM,U},$$

$$(V_{CM,D} - 2V_{DD})e^{-\frac{T_1}{RC}} + V_{DD} = V_{CM,U},$$

$$(V_{CM,U} + V_{DD})e^{-\frac{T_2}{RC}} = V_{CM,D},$$

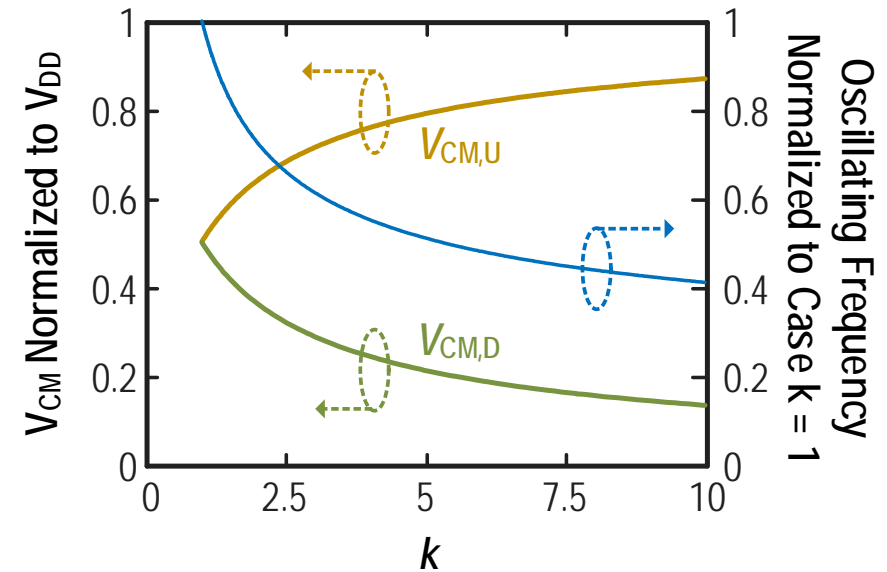
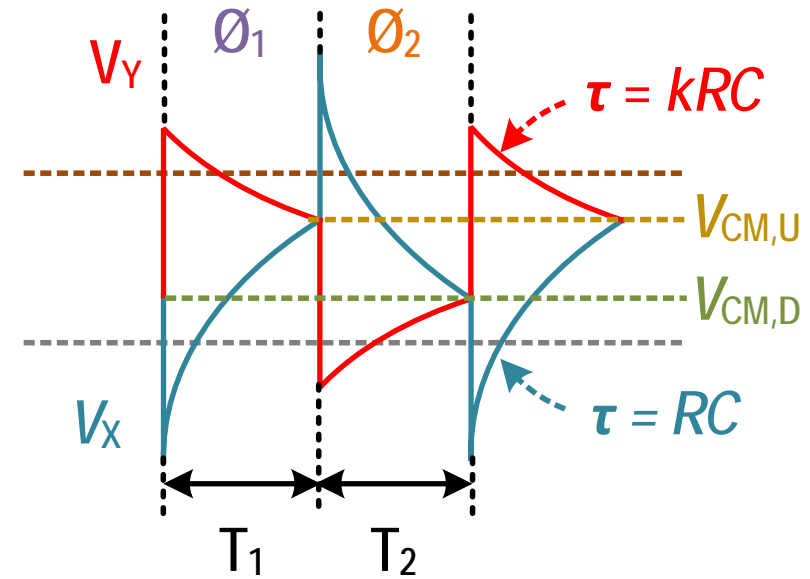
$$(V_{CM,U} - 2V_{DD})e^{-\frac{T_2}{kRC}} + V_{DD} = V_{CM,D}.$$

Assume $T_1 = T_2$,

$$\left(\frac{V_{DD} - V_{CM,D}}{V_{DD} + V_{CM,D}}\right)k = \frac{V_{CM,D}}{2V_{DD} - V_{CM,D}}$$

$$\left(\frac{V_{CM,U}}{2V_{DD} - V_{CM,U}}\right)k = \frac{V_{DD} - V_{CM,U}}{V_{DD} + V_{CM,U}}$$

$$k = \frac{T}{2RC} / \ln\left(\frac{1 + 3e^{-T/2RC}}{1 - e^{-T/2RC}}\right)$$



Theoretical Analysis

$$\sigma_{jit} \propto \frac{V_{n,xy}}{S_{xy}}$$

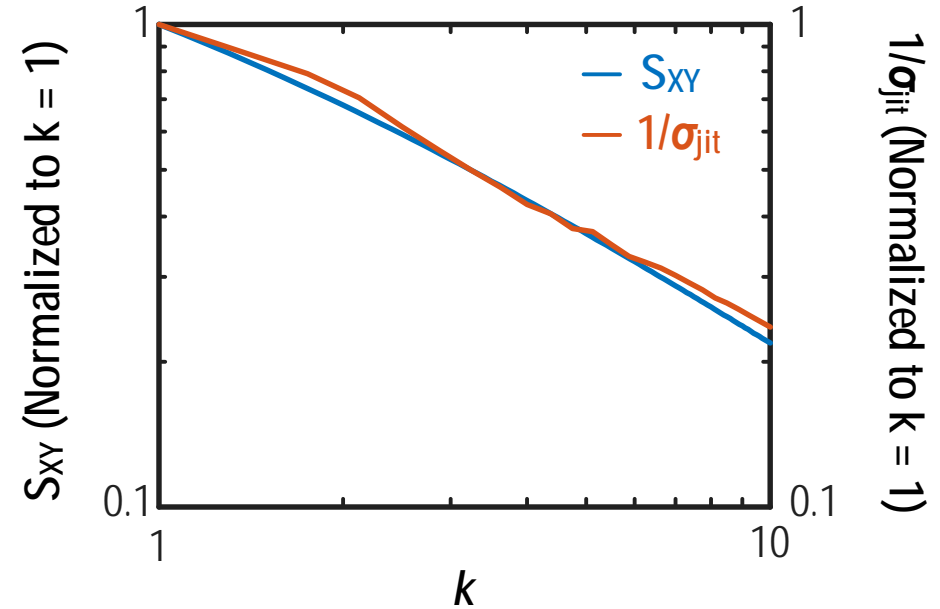
$$S_{xy} = \frac{dV_{x,y}}{dt} \left(t = \frac{T}{2} \right)$$

$$S_{xy} = -\frac{1}{RC} \left(V_{CM,D} - \frac{V_{CM,D}}{k} + \frac{V_{DD}}{k} \right)$$

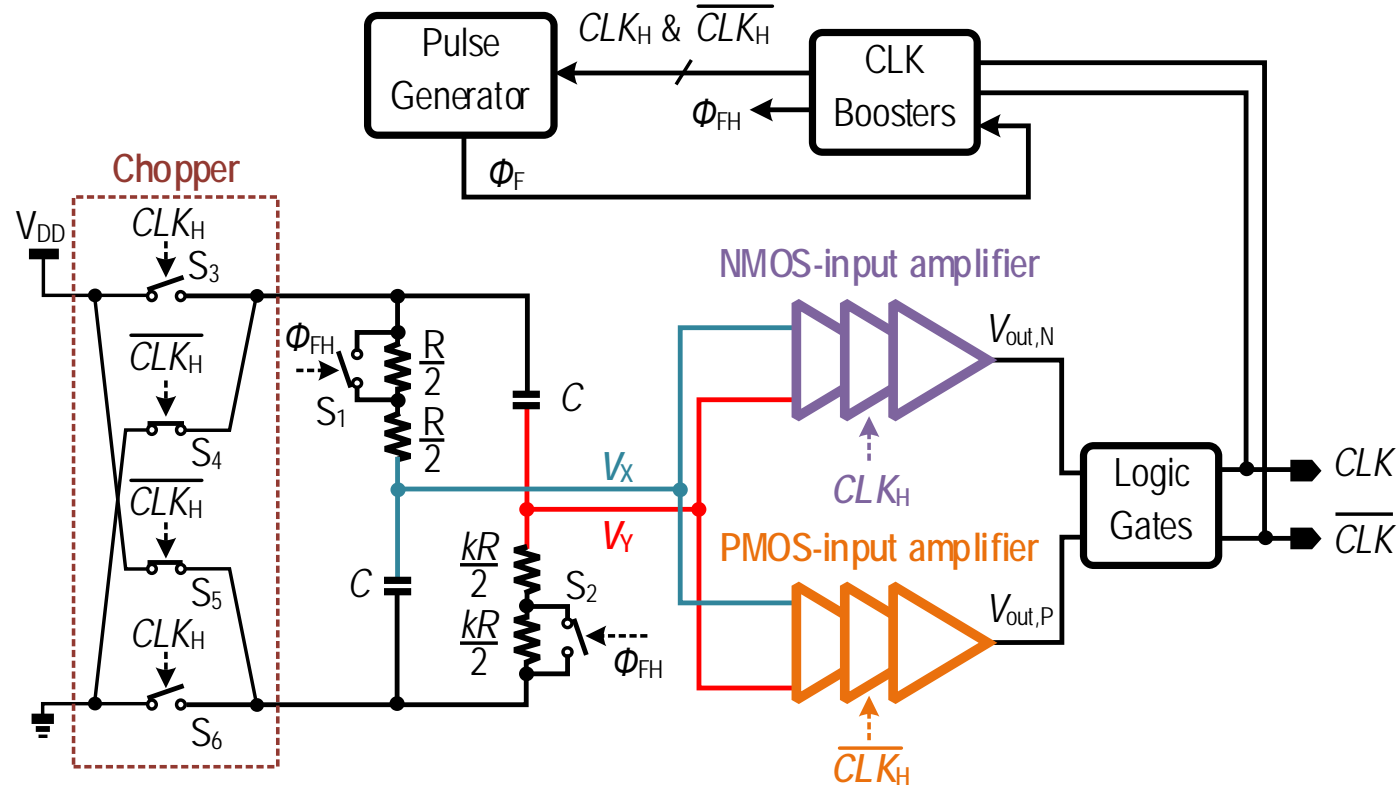
➤ Key takeaway:

- A large k favors ULV design
- A large k also penalizes the jitter

➤ $k = 2.4$ and $V_{CM,U} = 0.23 \text{ V}$ ($V_{DD} = 0.35 \text{ V}$).

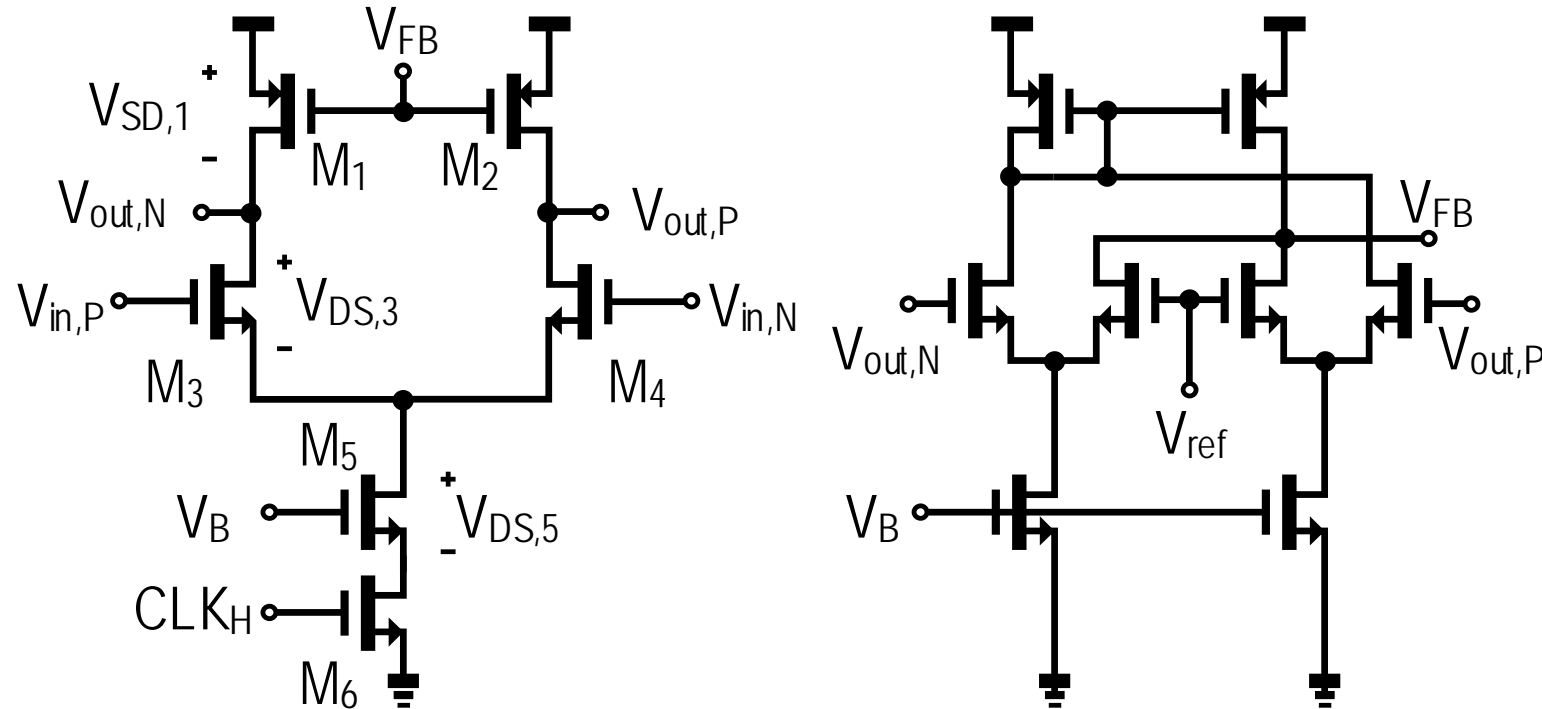


Proposed ULV Dual-Path RxO



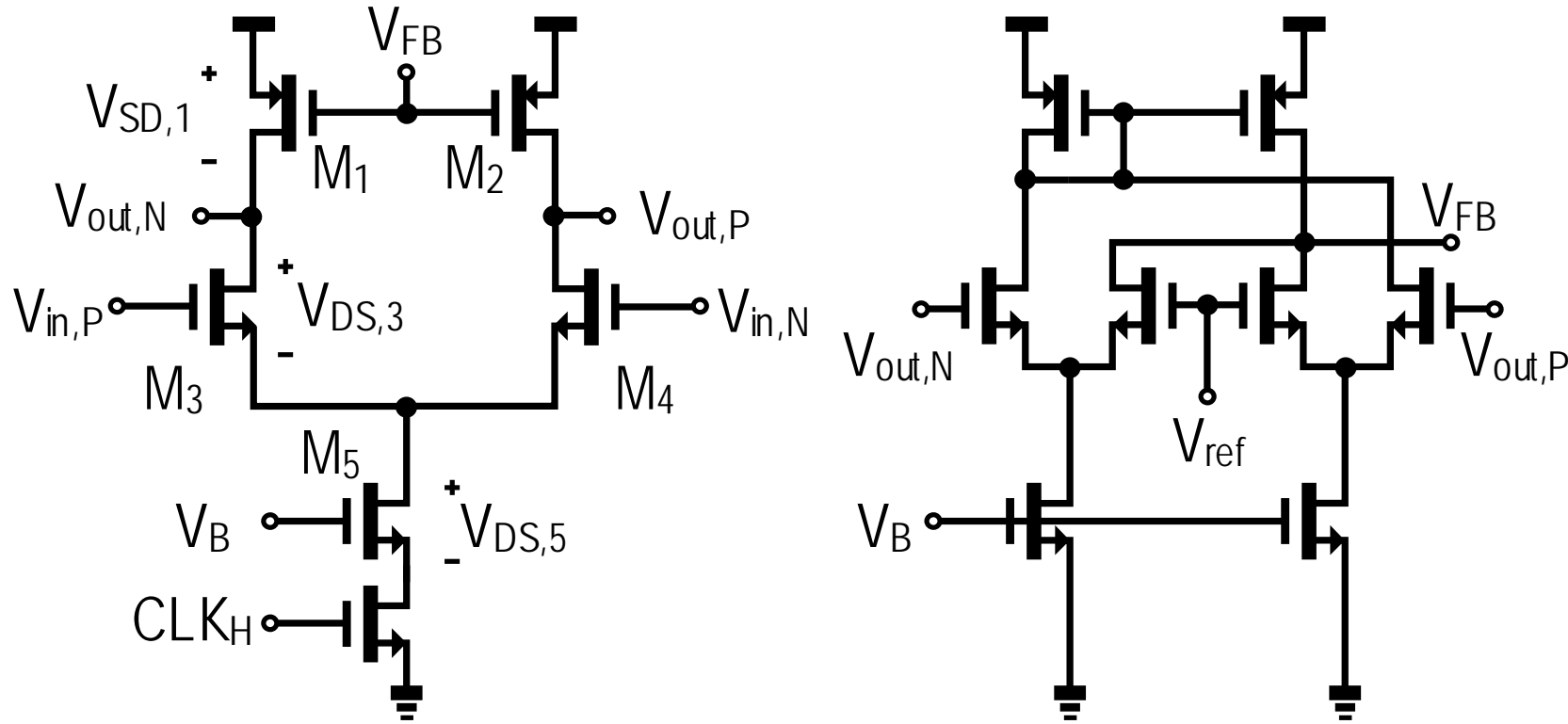
- NMOS-input + PMOS-input amp. for comparisons in $\Phi_{1,2}$
- Logic gates to generate the CLK signals

Amplifier Implementation



- 3 CS-amp. constitute the NMOS-/PMOS-input amp.
- Simulated gain: $>27\text{dB}$
- CMFB to safeguard the operation

Amplifier Implementation

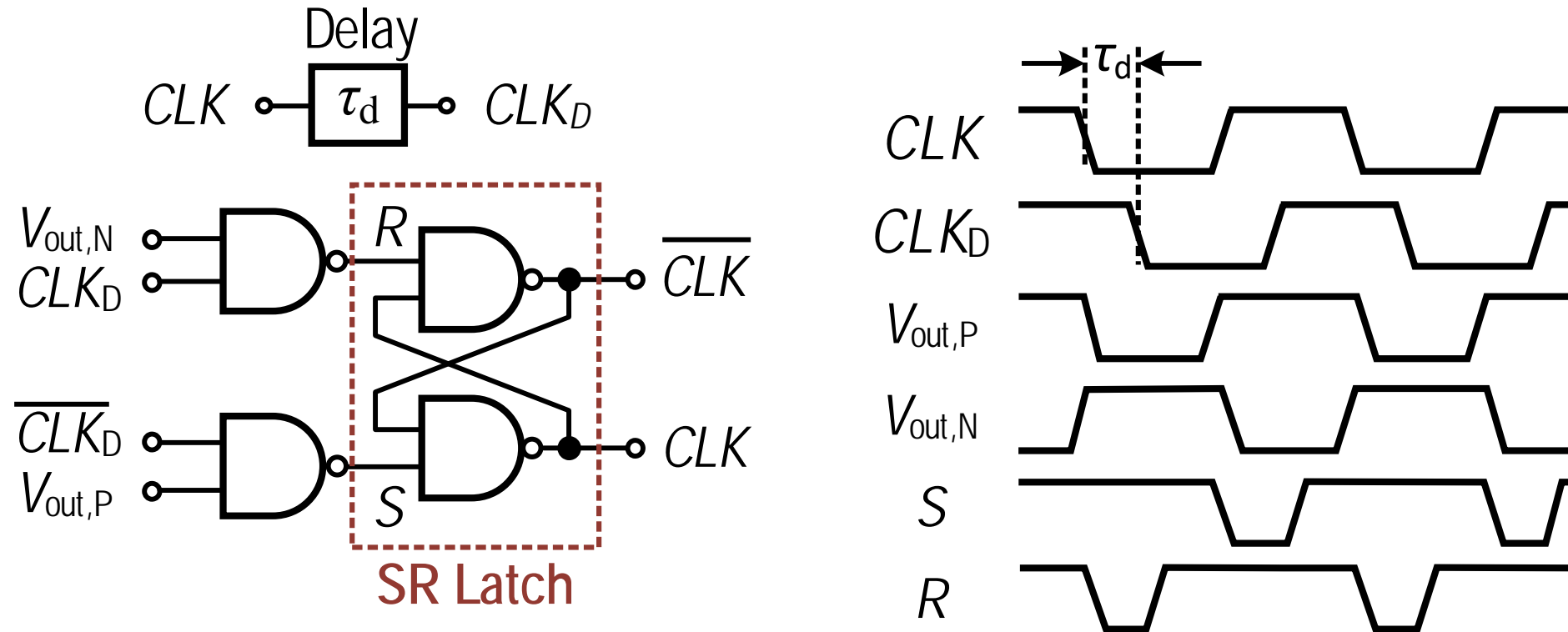


➤ Min. V_{DD} limited by comparator

- $V_{SD,1} + V_{DS,3} + V_{DS,5}$

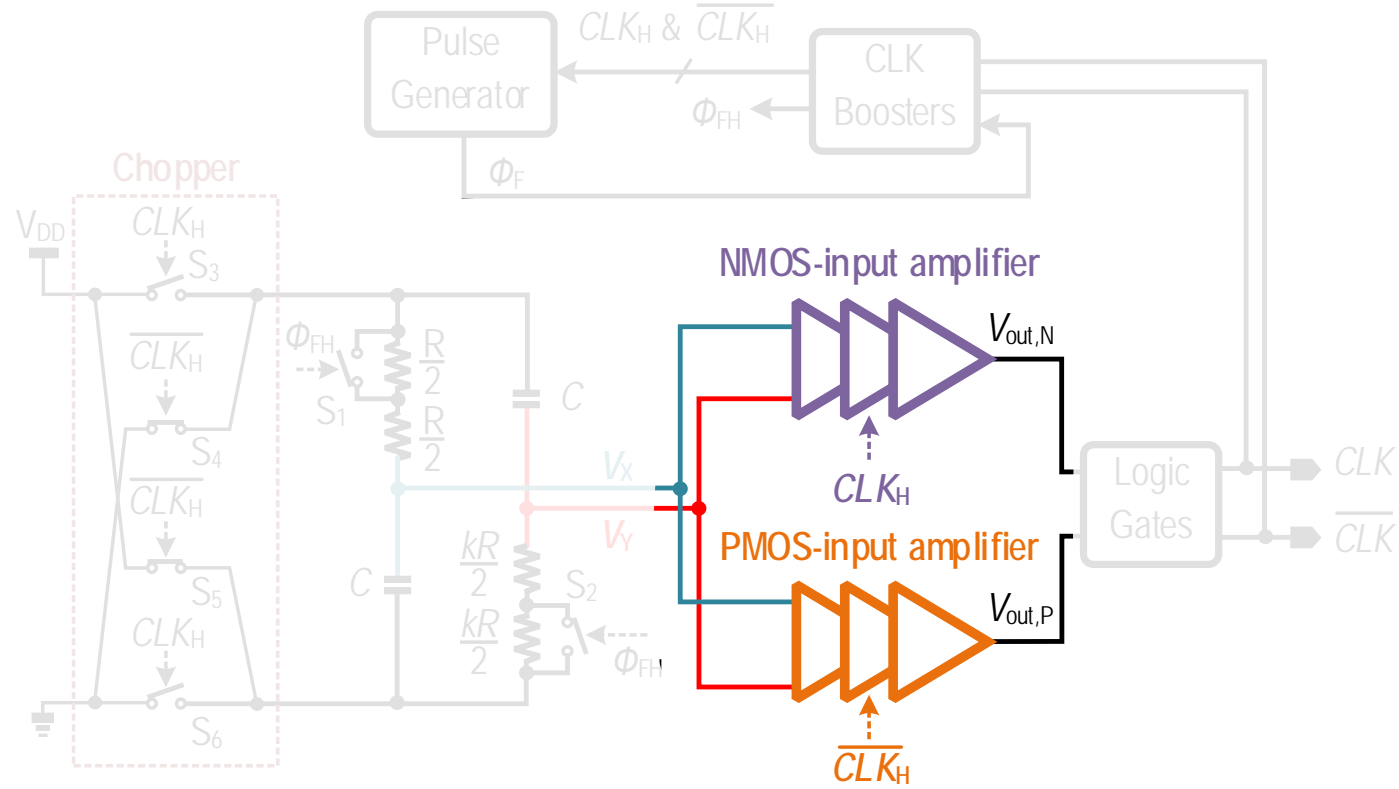
➤ $|V_{DS}| > 3V_T$ ($V_T = 34\text{mV}$ @ 120°C)

Logic Gates



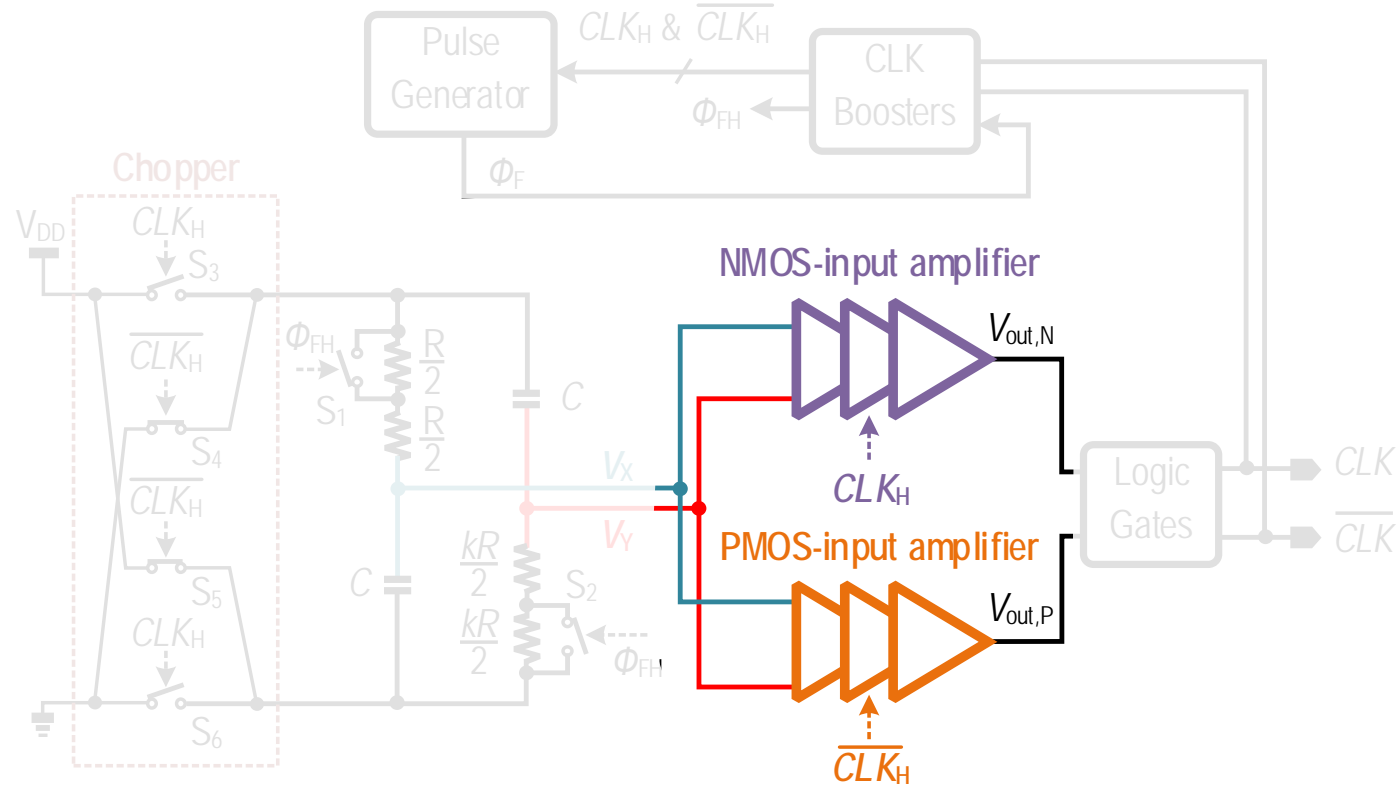
- Logic gates turn the output of amplifiers to CLK
- Delay cell to remove the undesired glitches
- Overall delay: vary $<1\%$ of the period from -20 to $120^\circ C$

Delay Compensation



- Temperature-sensitive t_{delay} affects RxO's T_{OSC}
- Raising the amplifiers' power penalizes the efficiency

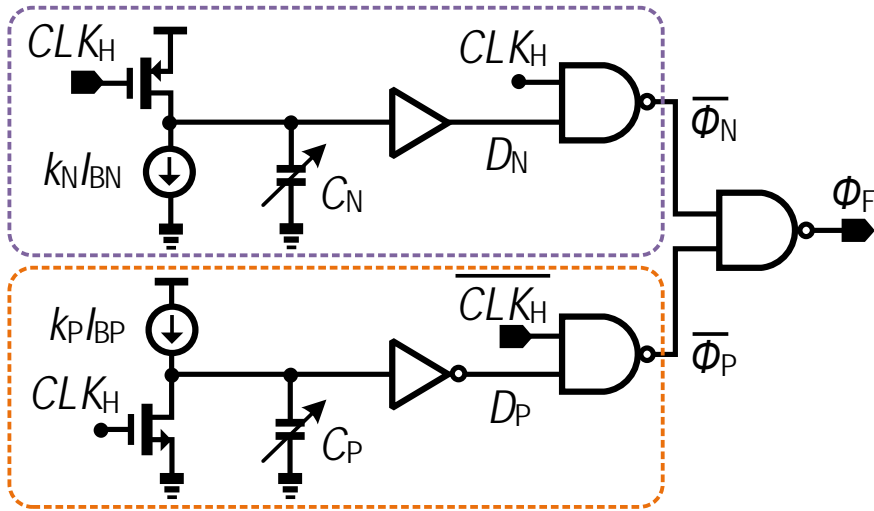
Delay Compensation



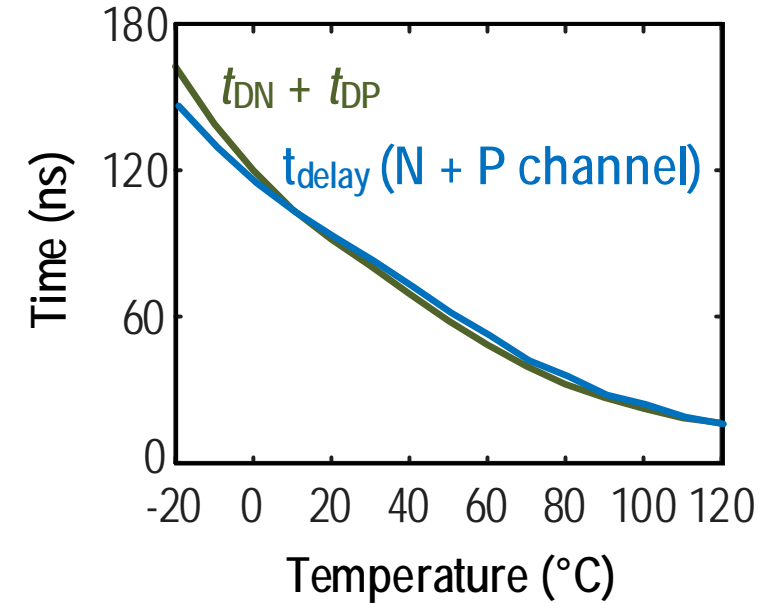
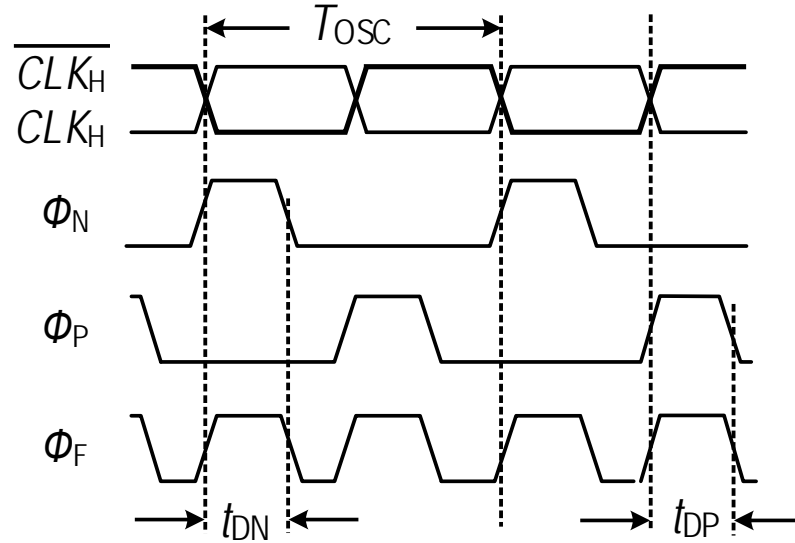
- Delay $\propto 1/I_{Bias}$
- Track the delay and compensate in the RC-network \rightarrow Temperature-resilient operation

Delay Compensation

Delay generator for N-channel

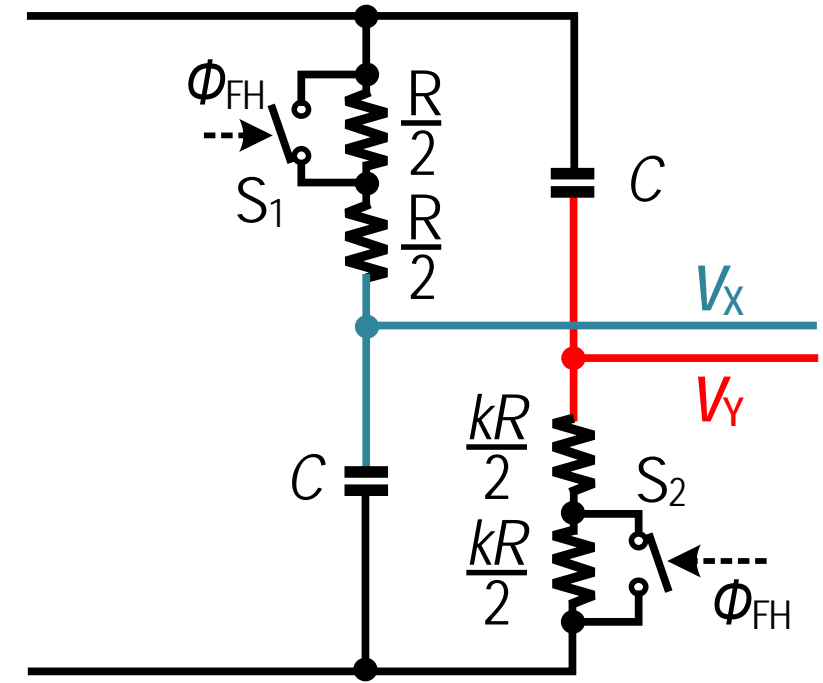
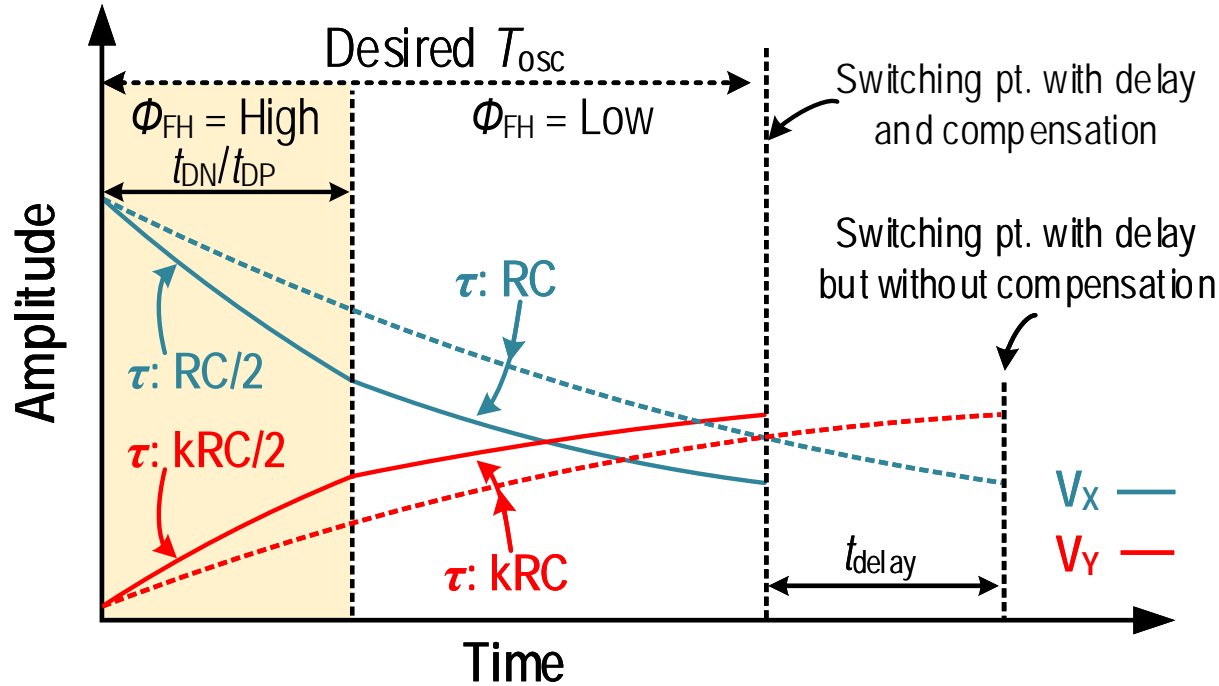


Delay generator for P-channel



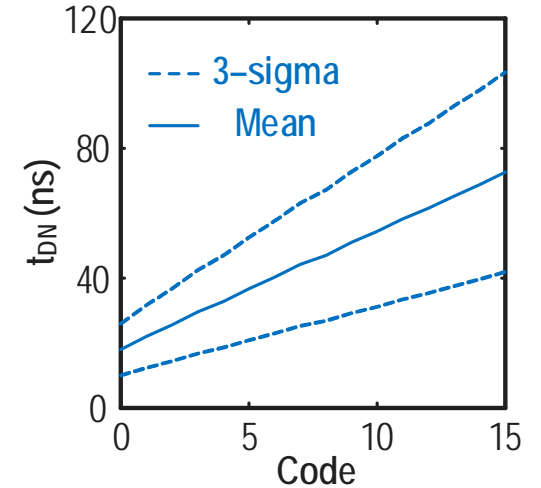
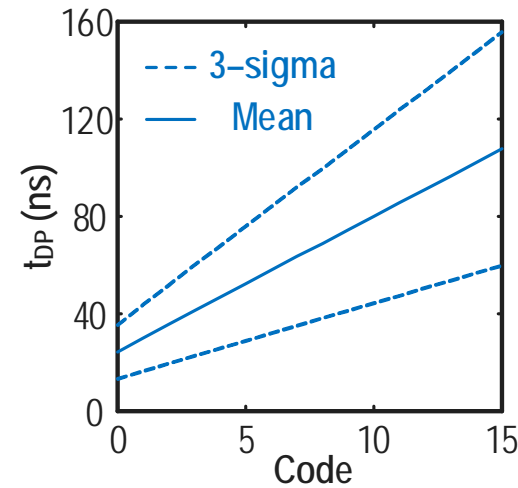
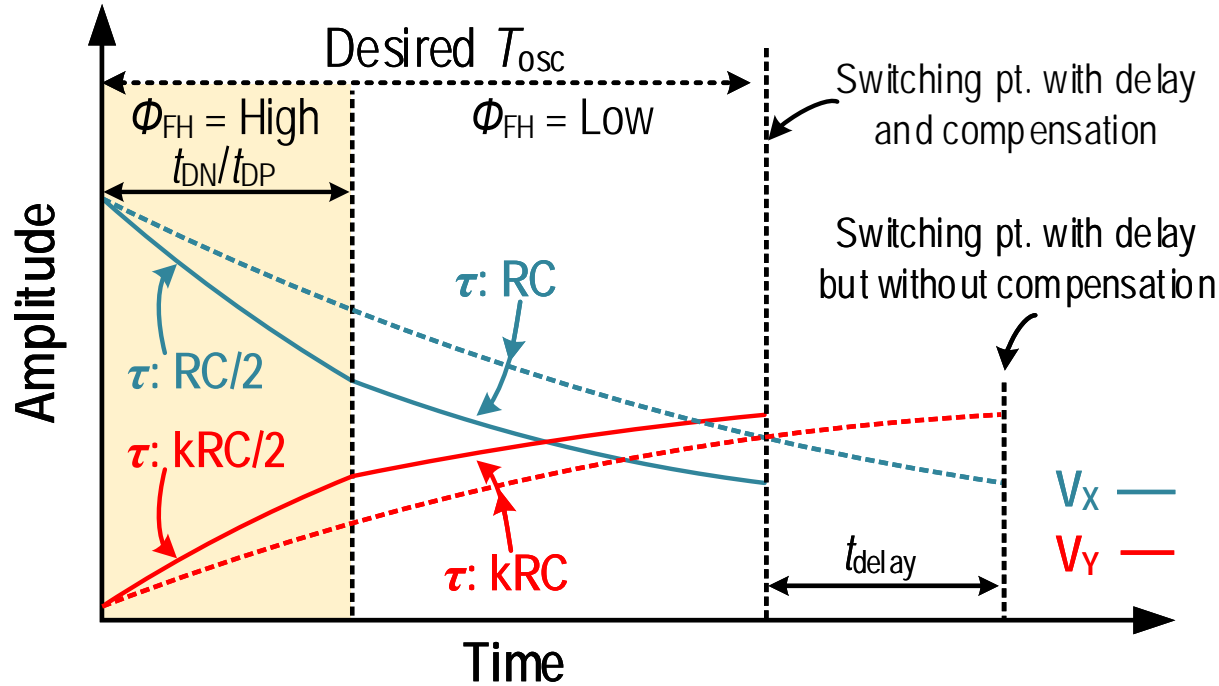
- Delay generators for both channels
- Pulse width inversely proportional to I_{BN}/I_{BP}

Delay Compensation



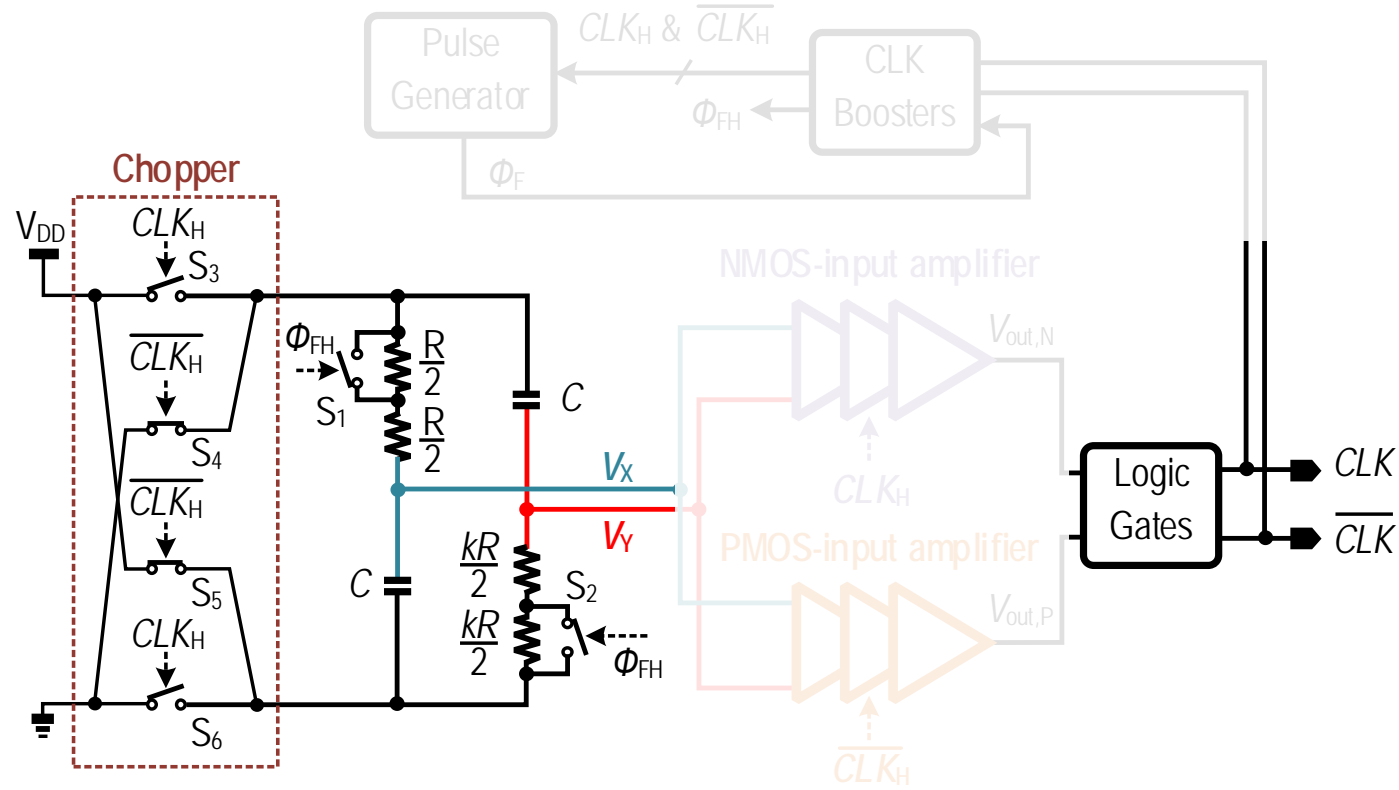
- τ of the RC branches is halved when $\Phi_{FH} = 1$
- Mismatch/Process variations are calibrated through C_P and C_N

Delay Compensation



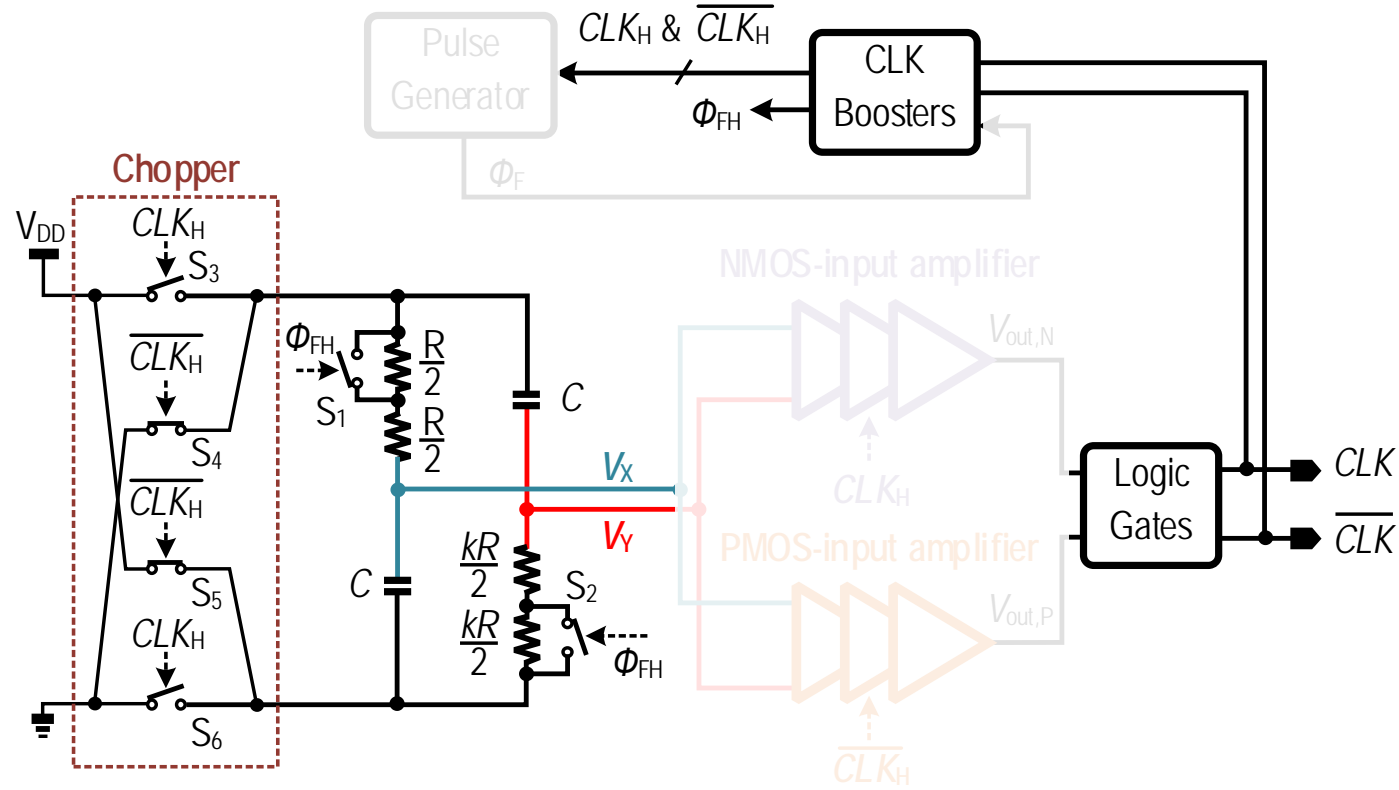
- τ of the RC branches is halved when $\phi_{FH} = 1$
- Mismatch/Process variations are calibrated through C_P and C_N

CLK Boosters



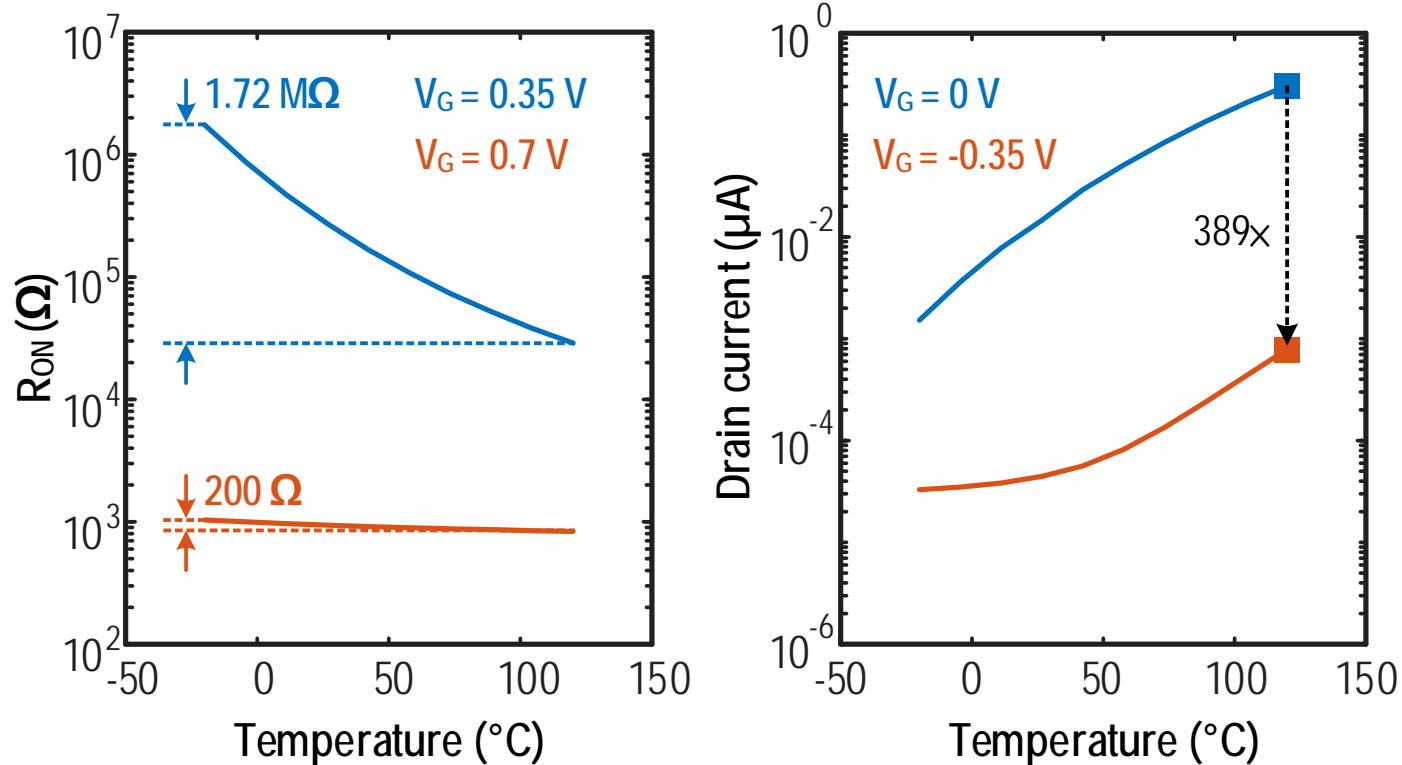
- R_{ON} of the switch is influential at 0.35V
- Leakage current of the switch also matters

CLK Boosters



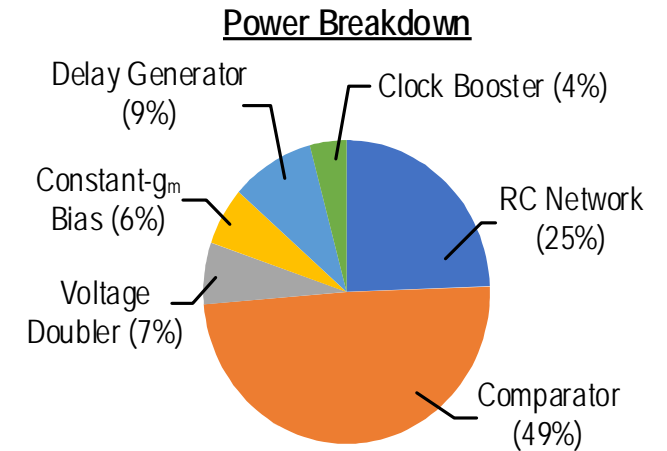
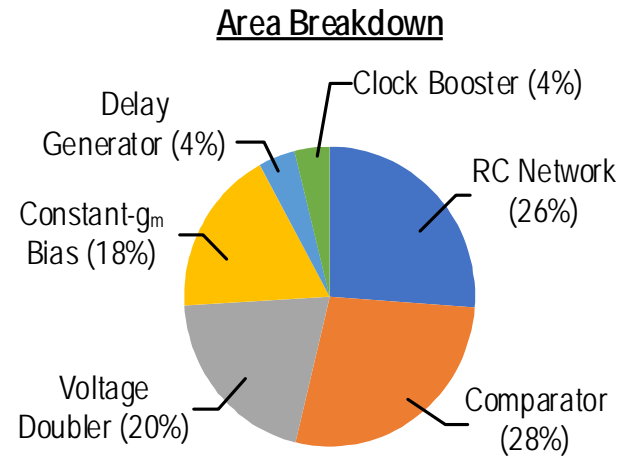
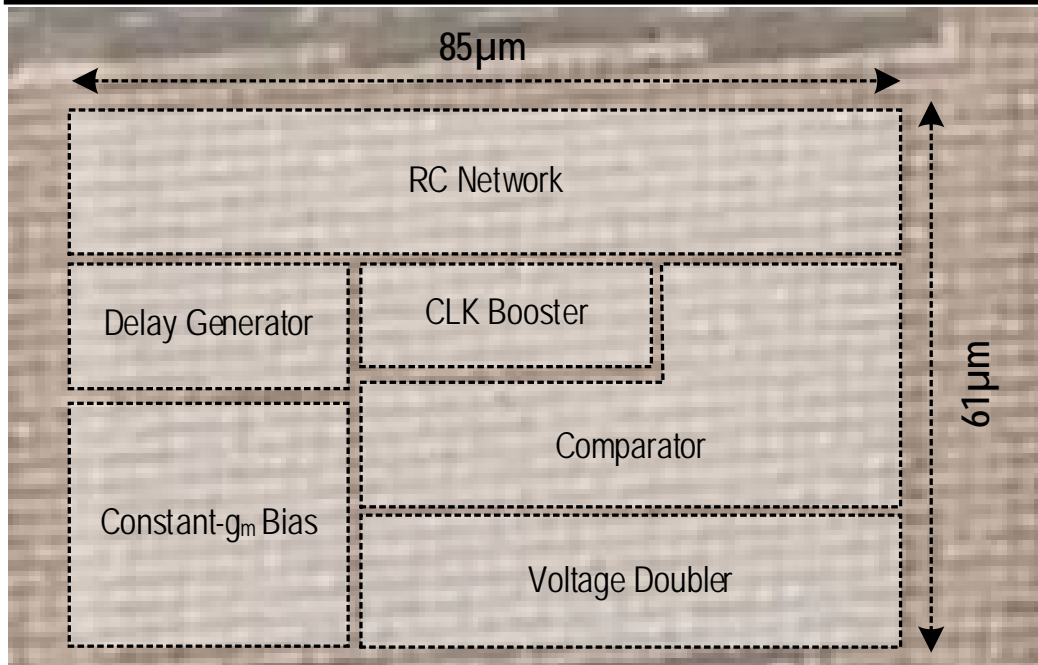
➤ CLK boosters to boost the swing ($3 \times V_{DD}$)

CLK Boosters



- Variations of R_{ON} (NMOS) reduced by 8600x
- Leakage current reduced from 307 to 0.8 nA at 120°C

Measurement Results



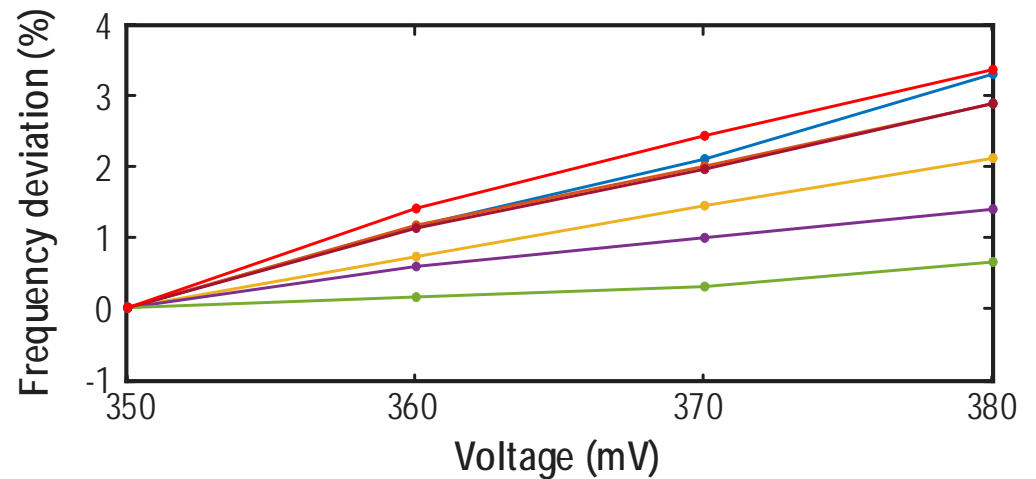
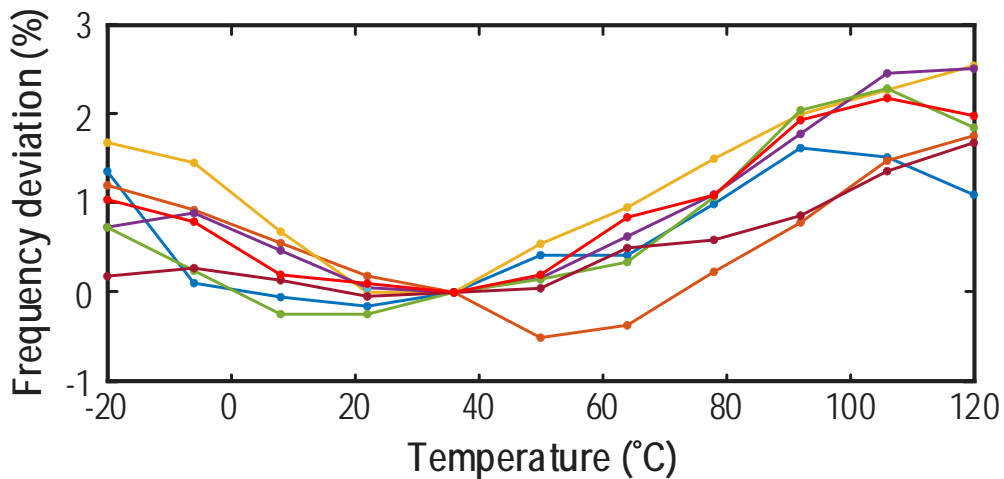
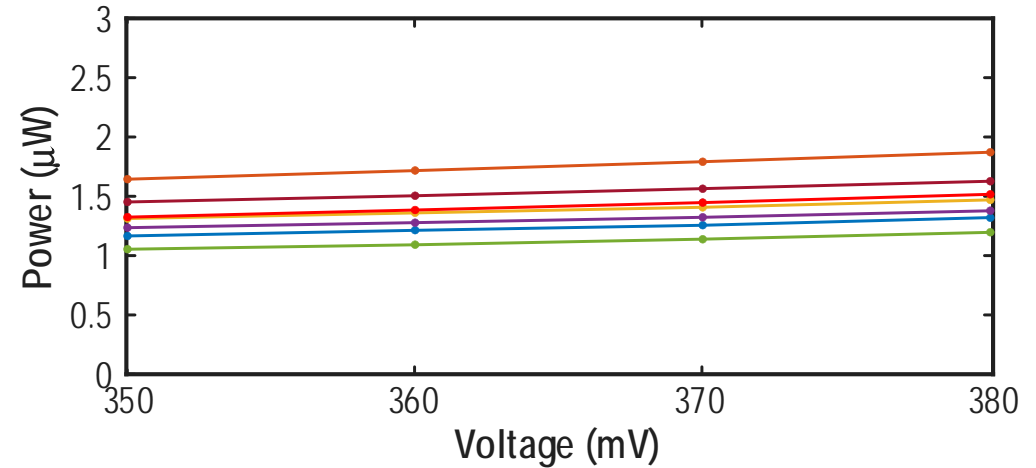
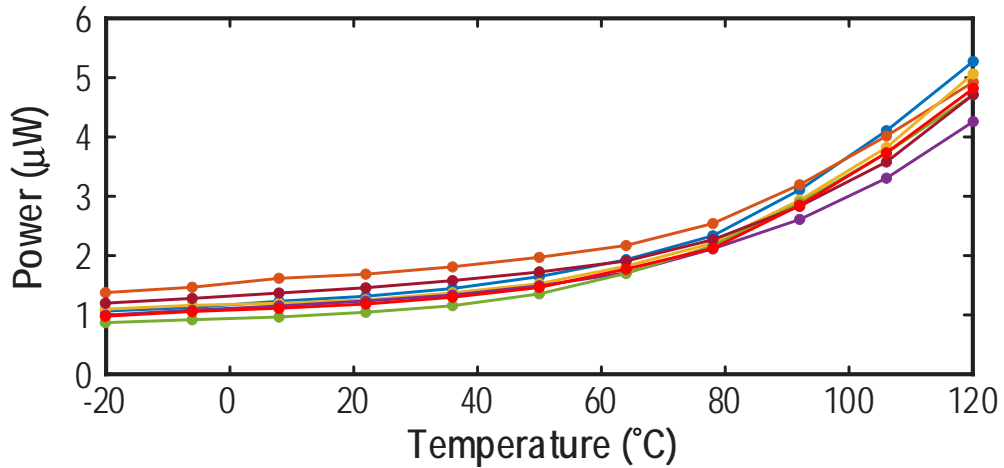
➤ Fabricated in 28-nm CMOS 1P10M process

➤ Area: 5,200 μm²

➤ $P = 1.4 \mu\text{W}$ at 22 °C & $f = 2.1 \text{ MHz}$ ($N = 7$)

➤ Energy efficiency: 667fJ/cycle

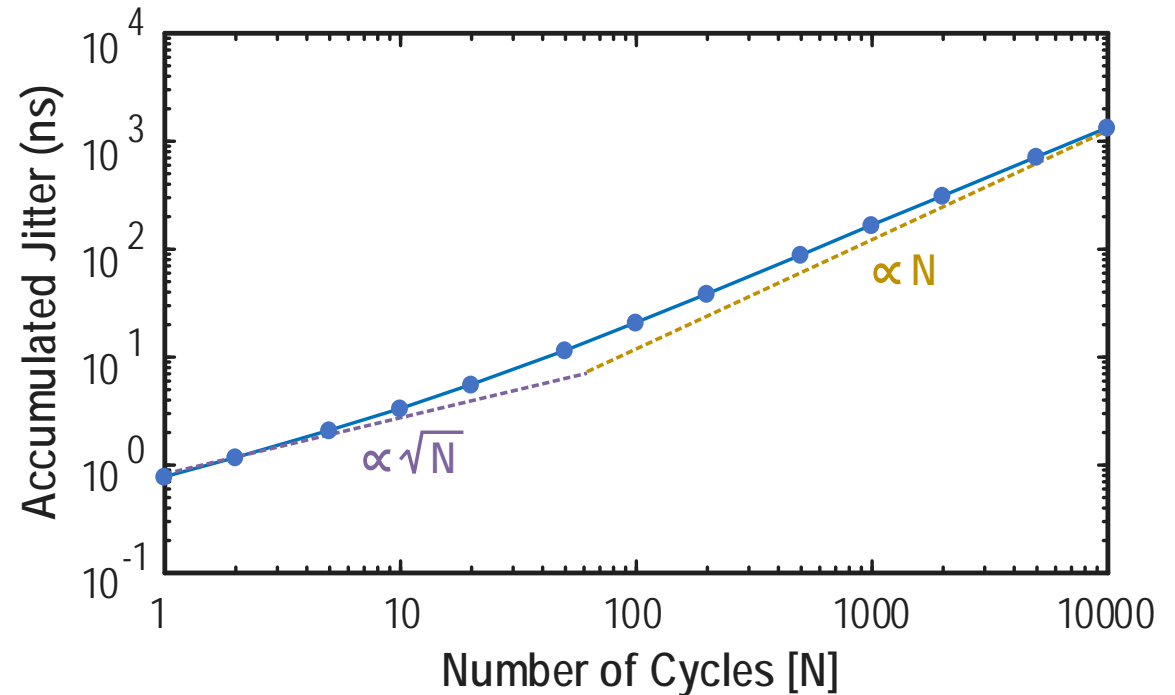
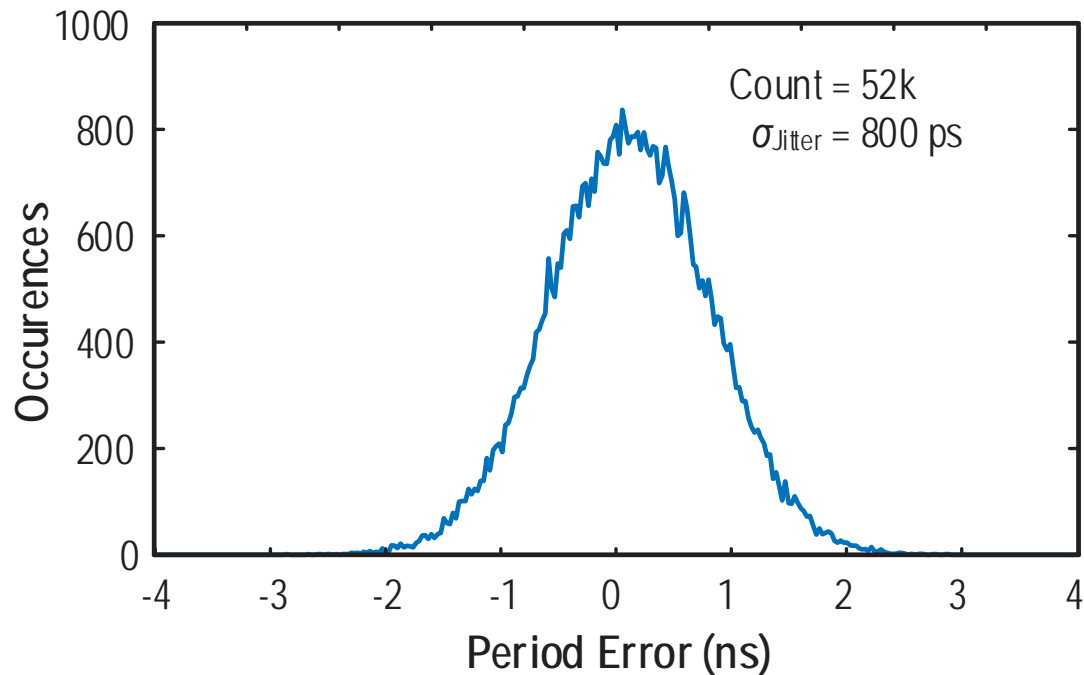
Measurement Results



➤ TC: 158 ppm/°C

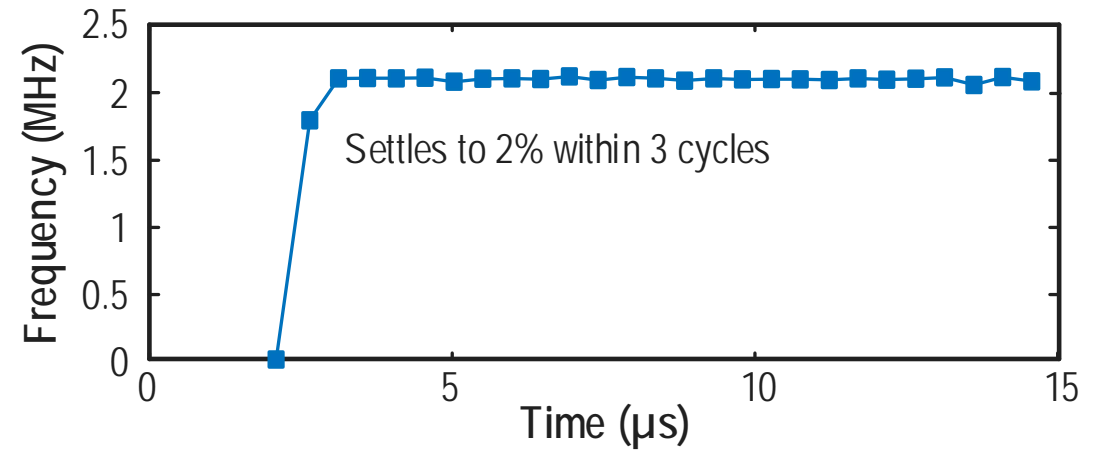
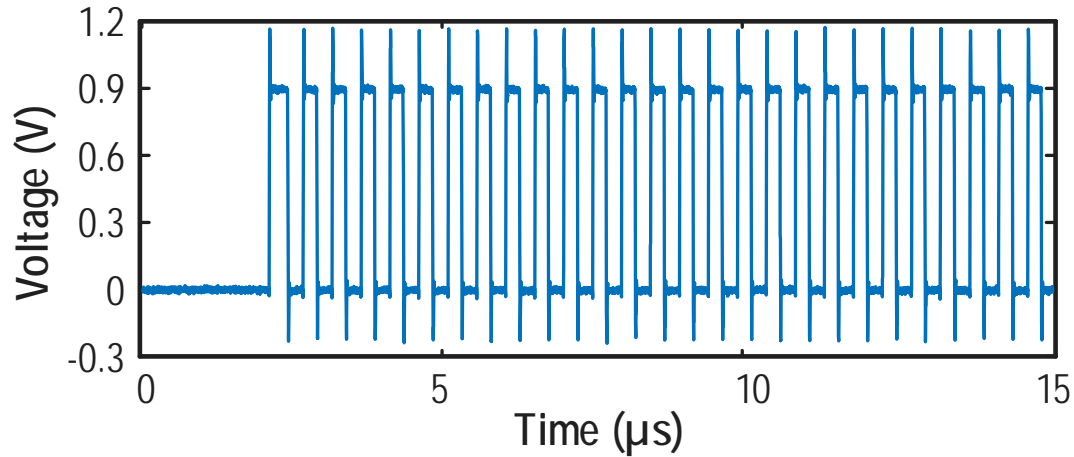
➤ $\left[\left(\frac{\Delta f}{f}\right) / \left(\frac{\Delta V}{V}\right)\right]: 26.8\%$

Measurement Results

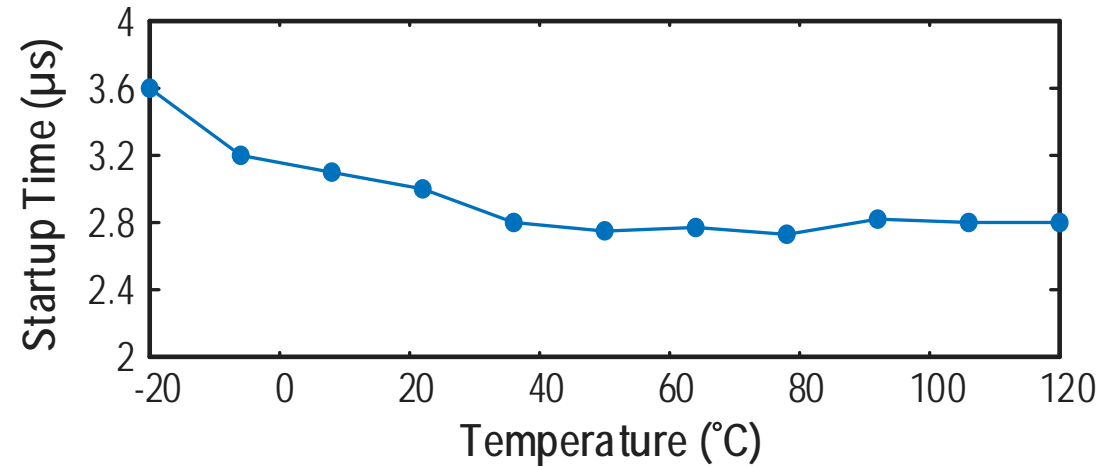


- RMS Jitter: 800 ps (0.15%)
- Accumulated jitter: increases $\propto \sqrt{N}$ up to ~ 60 cycles
- Long-term stability: 210 ppm (gating time $> 0.1 \text{ s}$)

Measurement Results



- Settles in 3 cycles ($<2\%$)
- $<3.6\mu\text{s}$ in the entire T_{range}



Performance Summary and Comparison

	Koo, ISSCC'17 [11]	Mikulić, ESSCIRC'17 [8]	Liu, JSSC'19 [12]	Savanth, JSSC'19 [9]	Lee, JSSC'20 [13]	This work
Process (nm)	180	350	65	65	180	28
Frequency (MHz)	0.44	1	1.05	1.2	10.5	2.1
V_{DD} (V)	1.4 – 3.3	3 – 4.5	0.98 – 1.02	0.9 – 1.8	1.4 – 2.0	0.35 – 0.38
Power (μ W)	21.3	210	69	0.82	219.8	1.4
Energy efficiency (pJ/cycle)	48.4	210	65.7	0.68	20.9	0.67
T_{range} ($^{\circ}$ C)	-20 to 100	-40 to 125	-15 to 55	-20 to 125	-40 to 125	-20 to 120
TC (ppm/ $^{\circ}$ C)	169	24.3	4.3	100	137	158
Variation across V_{DD}	0.04%	0.42%	0.17%	\pm 0.54%	2.64%	2.3%
Line sensitivity ($\frac{\Delta f}{f}/\frac{\Delta V}{V}$)	0.03%	0.84%	4.25%	\pm 0.54%	6.16%	26.8%
Area (μ m ²)	58,000	40,000	51,000	5,000	15,000	5,200
Period jitter (ps _{rms})	1,060	-	160	-	9.86	800
Startup time (μ s)	-	1 [§]	8	10	-	3.6
No. of samples	100	5	-	7 [#]	15	7
FoM ₁ (dB) [▲]	162	165	174	183	168	181
FoM ₂ (dBc/Hz) [♣]	-152.7 (@10 kHz)	-	-	-	-157.7 (@1 kHz)	-143.4 (@ 10 kHz)

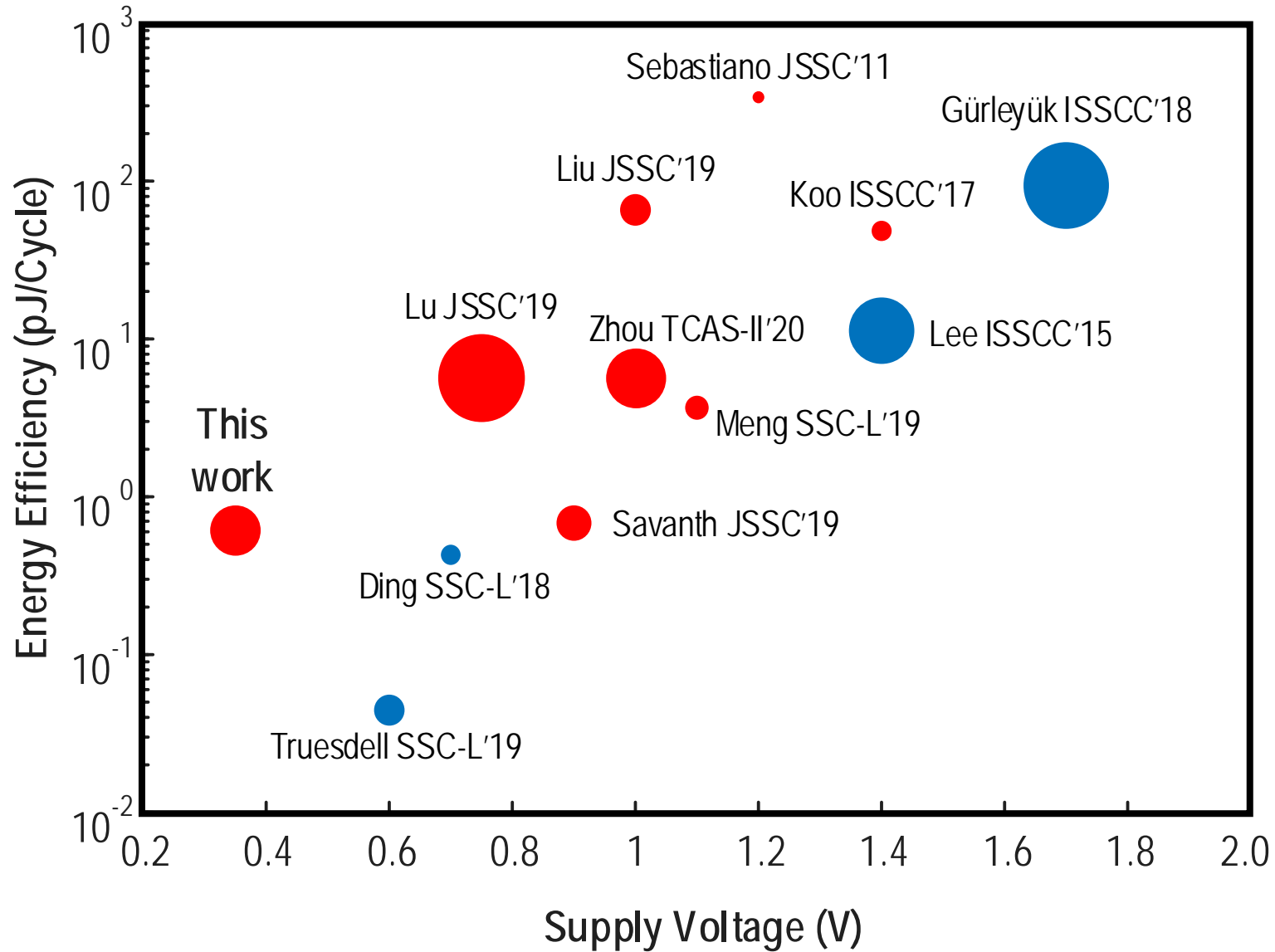
[#]For temperature stability measurement.

$$\text{▲ } FoM_1 = 10 \log \left(\frac{f \cdot T_{range}}{Power \cdot TC} \right)$$

[§]Deduced from the numbers of cycles to start, which may underestimate the true startup time.

$$\text{♣ } FoM_2 = PN - 20 \log \left(\frac{f}{f_{offset}} \right) + 10 \log \left(\frac{Power}{1mW} \right)$$

Comparison with State-of-the-art



A 0.35-V 5,200- μm^2 2.1-MHz Temperature-Resilient Relaxation Oscillator with 667fJ/cycle Energy Efficiency Using Asymmetric Swing-Boosted RC Network and Dual-Path Comparator

Conclusion

- 2.1-MHz and 0.35-V ULV RxO in 28-nm CMOS
- Asymmetric RC-network to shift $V_{CM,D}$ and $V_{CM,U}$
- Dual-path comparator for comparison
- Open-loop delay generator to compensate the delay
- Active Area: 5,200 μm^2
- Energy efficiency: 667 fJ/cycle
- FoM₁: 181dB
- **A promising solution for ULV and ULP IoT timer**

Acknowledgement

- University of Macau
- FDCT Macau (0043/2020/A1)

The End